



ARRI Signature Prime

USER MANUAL

February 28th, 2020

This page is intentionally left blank.

Imprint

Copyright

All rights reserved.

This document is provided under a license agreement containing restrictions on use and disclosure and is also protected by copyright law.

Due to continued product development this information may change without notice. The information and intellectual property contained herein is confidential between ARRI and the client and remains the exclusive property of ARRI. If you find any problems in the documentation, please report them to us in writing. ARRI does not warrant that this document is error-free.

For Further Assistance

Arnold & Richter Cine Technik GmbH & Co. Betriebs KG
Herbert-Bayer-Str. 10
D-80807 Munich
Germany

E-mail: service@arri.com
<http://www.arri.com>

Document Revision History

This instruction manual applies to all ARRI Signature Prime lenses.

Document ID: K4.0019068

Release	Date
F06594	January 22 nd , 2018
K09900	November 12 th , 2018
K10163	February 28 th , 2020

Contents

1	Disclaimer.....	5
2	About This Manual.....	7
3	Introduction to the ARRI Signature Primes.....	8
4	ARRI Signature Prime Layout.....	10
5	Precautions and Safety Guidelines.....	11
6	LPL Mount.....	14
7	Mounting & Operation.....	15
8	Cleaning.....	19
9	Technical Data.....	22
10	Spare Parts.....	26
11	Declarations of Conformity.....	27
12	ARRI Service Contact Information.....	29
13	Dimensional Drawings.....	30

1 Disclaimer

Before using the products described in this manual be sure to read and understand all respective instructions.

The ARRI Signature Primes are only available to commercial customers. The customer grants by utilization that the ARRI Signature Primes or other components of the system are deployed for commercial use. Otherwise the customer has the obligation to contact ARRI preceding the utilization.

While ARRI endeavours to enhance the quality, reliability and safety of their products, customers agree and acknowledge that the possibility of defects thereof cannot be eliminated entirely. To minimize risk of damage to property or injury (including death) to persons arising from defects in the products, customers must incorporate sufficient safety measures in their work with the system and have to heed the stated canonic use.

ARRI or its subsidiaries do not assume any responsibility for incurred losses due to improper handling or configuration of the lens or other system components, due to contamination, defective signal connections or incompatibilities with third party equipment.

ARRI assumes no responsibility for any errors that may appear in this document. The information is subject to change without notice.

For product specification changes since this manual was published, refer to the latest publications of ARRI data sheets or data books, etc., for the most up-to-date specifications. Not all products and/or types are available in every country. Please check with an ARRI sales representative for availability and additional information.

Neither ARRI nor its subsidiaries assume any liability for infringement of patents, copyrights or other intellectual property rights of third parties by or arising from the use of ARRI products or any other liability arising from the use of such products. No license, express, implied or otherwise, is granted under any patents, copyrights or other intellectual property right of ARRI or others.

ARRI or its subsidiaries expressly exclude any liability, warranty, demand or other obligation for any claim, representation, or cause, or action, or whatsoever, express or implied, whether

in contract or tort, including negligence, or incorporated in terms and conditions, whether by statute, law or otherwise. In no event shall ARRI or its subsidiaries be liable for or have a remedy for recovery of any special, direct, indirect, incidental, or consequential damages, including, but not limited to lost profits, lost savings, lost revenues or economic loss of any kind or for any claim by third party, downtime, good-will, damage to or replacement of equipment or property, any cost or recovering of any material or goods associated with the assembly or use of our products, or any other damages or injury of the persons and so on or under any other legal theory.

In the case one or all of the foregoing clauses are not allowed by applicable law, the fullest extent permissible clauses by applicable law are validated.

ARRI is a registered trademark of Arnold & Richter Cine Technik GmbH & Co Betriebs KG.

This product contains licensed technology from Linotype.

2 About This Manual

ARRI recommends that all users of the ARRI Signature Primes read the manual entirely prior to use. For experienced users, the manual's structure also provides quick access for reference.

How to Use This Manual

All directions are given from a camera operator's point of view. For example, camera-right side refers to the right side of the camera or lens when standing behind the camera and operating it in a normal fashion.

Connectors are written in all capital letters, for example, LPL.

This manual contains furthermore useful reference material including the technical specifications and dimensional drawings.

3 Introduction to the ARRI Signature Primes

The ARRI Signature Prime lenses are part of a complete large-format system that meets and exceeds modern production requirements. Based around a large format 4K version of the ALEXA sensor, the system comprises the ALEXA LF camera, ALEXA Mini LF, ARRI Signature Prime lenses, new LPL lens mount and PL adapter. These system elements have been designed to take fullest advantage of the enlarged sensor.

Accompanying the ALEXA LF cameras are 16 large-format ARRI Signature Prime lenses, ranging from 12 mm to 280 mm and fitted with the ARRI LPL mount. While the ARRI Signature Primes exemplify state-of-the-art optical precision, they have been designed to render organic, emotionally engaging images, gently softening and texturizing the large format with the natural skin tones and creamy bokeh. A fast T-stop of T1.8 facilitates shallow depth of field and the smooth focus fall-off gives subjects heightened presence in the frame.

The ARRI Signature Prime range is the first cine lens series to feature machined magnesium lens barrels, making the optics incredibly lightweight and robust. They are also incorporating ARRI's next-generation LDS-2 Lens Data System, with high data rates and absolute encoders for fast initializing. LDS-2 extends the possibilities of lens data and is being licensed to other lens and camera manufacturers.

A crucial element of the new system is the LPL lens mount, with dimensions optimized for large format sensors. A wider diameter and shorter flange focal depth allows the ARRI Signature Primes and all future large format lenses to be small and lightweight with a fast T-stop and pleasing bokeh, a combination of features that would not be possible within the confines of the PL lens mount. The LPL mount will also be available for other ARRI cameras such as the ALEXA Mini, so the ARRI Signature Primes can be used for large format and Super 35. In addition, the LPL mount is being licensed to other lens and camera manufacturers, creating a new universal standard.

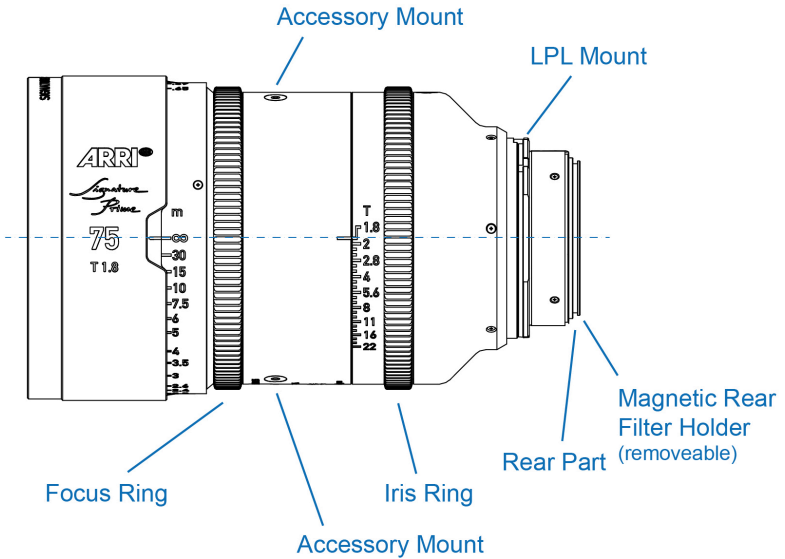
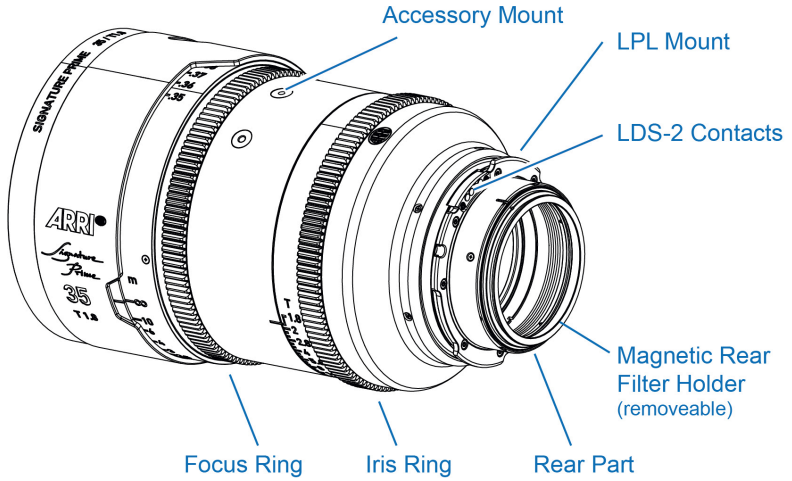
When comparing the full frame format with the Super 35 format, a conversion factor has to be considered for one focal length to get the same field of view on an ALEXA LF as for a certain focal

length on an ALEXA S35 camera. The table below shows the corresponding conversion factors and equivalent focal lengths for the different formats for the ARRI Signature Prime focal lengths.

ARRI Signature Prime	Alexa LF 16:9 to			Alexa LF Open Gate to		
	Alexa 2.8k [mm]	Alexa 3.2k [mm]	Alexa 3.4k [mm]	Alexa 2.8k [mm]	Alexa 3.2k [mm]	Alexa 3.4k [mm]
12 mm	9	10	11	8	9	9
15 mm	11	12	13	10	11	12
18 mm	14	15	16	12	13	14
21 mm	16	17	19	14	15	16
25 mm	19	21	22	16	18	19
29 mm	22	24	26	19	21	22
35 mm	26	29	31	23	25	27
40 mm	30	33	36	26	28	31
47 mm	35	39	42	30	33	36
58 mm	44	48	52	38	41	45
75 mm	56	62	67	49	53	58
95 mm	71	78	84	62	68	73
125 mm	94	103	111	81	89	96
150 mm	113	124	133	97	107	115
200 mm	150	165	178	129	142	154
280 mm	210	231	249	181	199	215
Con- version Factor	1.33x	1.21x	1.12x	1.54x	1.40x	1.30x

Example: If you normally use an ALEXA LF in Open Gate mode and want to switch to ALEXA S35 3.2k mode, the corresponding conversion factor is 1.40x. Hence, a 40mm lens on the ALEXA LF is equivalent to a $40\text{mm} / 1.40 = 28.6\text{mm}$ lens on the Alexa S35. Probably a 28mm lens will do a good job.

4 ARRI Signature Prime Layout



5 Precautions and Safety Guidelines

Any violation of these safety instructions or non-observance of personal care could cause serious injuries (including death) to users and affiliates and damage to the equipment or other objects.

General Safety Guidelines

⚠ CAUTION

- Always follow these guidelines to ensure against injury to yourself or others and damage to the system or other objects.
- This safety information is in addition to the product specific operating instructions in general and must be strictly observed for safety reasons.
- Read and understand all safety and operating instructions before you operate or install the system!
- Retain all safety and operating instructions for future reference.
- Heed all warnings on the system and in the safety and operating instructions before you operate or install the system. Follow all installation and operating instructions.
- Do not use accessories or attachments that are not recommended by ARRI, as they may cause hazards and invalidate the warranty!
- Do not attempt to repair any part of the system! Repairs must only be carried out by authorized ARRI Service Centers.

Specific Safety Instructions

WARNING

- Do not remove any safety measures from the system!
- Do not operate the system in areas with humidity above operating levels, expose it to water or moisture!
- Do not subject the lens to severe shocks.
- Never insert objects of any kind into any part of the lens if these are not clearly qualified for the task in the manual.
- Do not remove any paint marked screws.
- Changing camera lenses should be done in a dry and dust-free environment. If this is not possible, take extra care that no dust enters the camera while the lens is off!
- Keep the protective caps on the lens when not mounted to the camera or not in operation.
- Follow the cleaning instructions in this manual to avoid damage of the lens.
- Do not use any strong or aggressive cleaning detergents like Methanol, Acetone, Benzine or acids, as they may damage the optical coating or lens barrel!

DANGER

DO NOT POINT THE LENS/CAMERA INTO DIRECT SUNLIGHT, VERY BRIGHT LIGHT SOURCES, OR HIGH-ENERGY LIGHT SOURCES (e.g. laser beams)!

This may cause permanent damage to the eyes and furthermore may permanently damage the lens or the camera.

Storage and Transport Precautions

- Keep the protective caps on the lens when not mounted to the camera or not in operation. The rear cap secures the net holder on the rear part of the lens.
- The ARRI Signature Prime lenses are delivered in a rugged aluminum case. Always store and transport the lens in the included aluminium case. A lock can be used on the latches of the case to secure the case. The case can be used for transport of the lens to the ARRI service centers. Do not put the case underwater.
- Do not store the lens in places where it may be subject to extreme temperatures, direct sunlight, high humidity, severe vibration, or strong magnetic fields.
- Condensation: When moving the lens from a cool to a warm location or when the lens is used in a damp environment, condensation may form inside the lens port, on glass surfaces, and on internal or external electrical connections. Operating the lenses while condensation is present may result in damage to the equipment. Condensation on the optical components may have a visible effect on the output images. To reduce the risk of condensation, find a warmer storage location. After moving the lens from cool to warm environment, wait for some time for the lens to warm up to the ambient temperature to avoid condensation.

6 LPL Mount

The ARRI Signature Prime lenses are equipped with the ARRI LPL lens mount. The ARRI LPL lens mount supports the ARRI Lens Data System LDS-2, which is included in the ARRI Signature Prime lenses. Cameras with a PL mount can be refitted with a LPL mount. A PL-to-LPL adapter offers backwards compatibility with all PL mount lenses on camera side, be they Super 35 or full frame. The adapter attaches securely to the LPL lens mount without tools, allowing crews to rapidly switch between PL and LPL lenses on set. Cinematographers are therefore offered an unlimited lens choice, with complete lens metadata accessible from LDS-2, LDS-1 or /i lenses.

The lens must be mounted in the 12 o'clock position to enable the LDS functions. Take care not to damage the LDS contacts on the lens and the camera when mounting or unmounting a lens or lens port cover.

7 Mounting & Operation

Lens Rear Part

The rear part of the lens contains a magnetic holding system, to attach different lens accessories. A magnetic rear filter holder is included as standard part with the lens.

- 1 To remove the accessory element, like the magnetic rear filter holder, simply lift it from the rear part of the lens by hand.
- 2 To secure a net on the magnetic rear filter holder, use a small rubber band.
- 3 To attach the accessory element to the lens, like the magnetic rear filter holder, put it on the rear part with the marking on the rear part and the element aligned. A slight rotation of the magnetic rear filter holder will simplify this operation.

CAUTION

- Use the lens only with an element, like the magnetic rear filter holder, attached to the lens!
- Be careful not to touch the rear lens when attaching or removing accessory components of the rear part.
- When using a net attached to the magnetic rear filter holder, take precautions that neither the rubber band or the net are blocking or damaging the LDS-2 contacts, the LPL mount or the image sensor on the camera.

Lens Mounting

- 1 Remove the rear cap of the lens.
- 2 Make sure the rear element of the lens is clean.
- 3 Always have the magnetic rear filter holder or other accessory elements installed on the rear part of the lens.

- 4 On camera side, turn the bayonet ring anti-clockwise until it stops.
- 5 Remove the lens port cap of the camera.
- 6 Carefully insert the lens into the lens port. Align the notch in the lens flange with the index pin on the mount, keeping the lens rotated into a position where the lens markings are visible from either side of the camera.
- 7 Press the lens flange flat onto the lens mount.
- 8 Turn the bayonet ring clockwise until the lens is locked securely.
- 9 Ensure that the lens is properly mounted.

WARNING

- Do not use on PL mount cameras! The LPL lenses can only be used on cameras with LPL mounts. Contact your local ARRI dealer to refit your camera with an LPL mount.
- Do not use strong forces to mount the lens. In case the bayonet is not moving smoothly, check if the lens is correctly positioned.

CAUTION

- When not attached to the camera, attach the protective caps on the lens rear and front part to prevent dust from entering the lens cavity.
- LPL mount lenses can only be mounted in one orientation into the camera (with the LDS-2 contacts in 12 o'clock position).

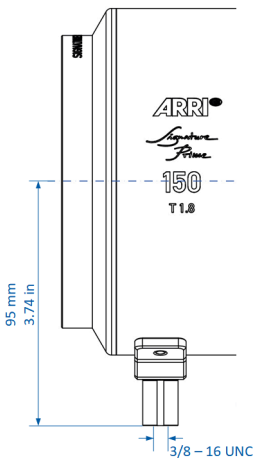
Lens Support

Heavy lenses may require additional lens support. Using a lens support guarantees that the weight of the lens will not influence the flange focal depth and reduces stress on the lens mount.

Before installing the lens, make sure that the lens support is attached properly to the lens. To support a lens, use appropriate studio rods and lens bridge.

Slide the bridge into position on the rods directly under the lens support ring on the lens and fix it in place by tightening the lever on its side. Align and tighten the center screw in the lens support ring, adjusting the height of the center screw with the lever on the back of the lens bridge.

The vertical position of the lens support mount from the optical center of the lens is the same for all ARRI Signature Prime lenses as illustrated below:



Focus & Iris Ring

The focus and iris scales are calibrated at ambient temperature. They can be adjusted continuously in the given ranges. External motors can be used to control the focus and iris rings.

⚠ WARNING

Do not exceed the maximum torque of 1.4 Nm, e.g. when using external motors, otherwise the lens may be damaged!

ADVICE

After a long storage period of the lens or exposure to low temperatures, move the focus and iris rings several times before using the lens to ensure proper movement.

Identification

On the bottom side of the lens, the GTIN number and serial number of the lens are engraved as clear text and as data matrix code, using the GS1 standard. The GS1 barcode can be identified globally and makes rental check-ins and check-outs easier. They provide proof of ownership and eliminate the need for stickers that can fall off or leave residue.

Please be aware, the encoded information of ARRI's GS1 GTIN code is different to the usual ARRI product barcode labels.

8 Cleaning

ARRI Signature Prime lenses are precision optics carefully designed to enable cinematographic image acquisition. To maintain the lowest possible optical scatter, it is crucial to keep your optics clean. Depending on the environment, dust and non-volatile residuals from cleaning agents, etc., may deteriorate the optical performance significantly. Although the optical coatings of the ARRI Signature Prime lenses have been designed to be robust, it is recommended to follow the common rules of handling precision optics proposed in this manual.

▲ CAUTION

- Avoid touching optical surfaces!
- Avoid wiping optical surfaces without air blow dusting first. If particles or optical surfaces are electrostatically charged, it may improve dusting efficiency to use deionized air.
- Avoid compressed air from cans: the chances of liquid propellants within the can being expelled in liquid droplets against the glass, thereby leaving contaminants are quite great. If using compressed air, use it only in a clean environment to avoid aerosols being pulled into the air stream and propelled onto the surface. Always use oil-free compressed air with less than 2 atm of pressure and equipped with particle filter.
- Avoid wiping dry optical surfaces with a dry tissue/cloth, especially if surfaces are not clean.
- Use clean, lint-free, and soft single-use paper-based optics cleaning tissues/pads or ARRI Optics Cleaning Cloth (Small 170 x 150 mm, Order Number: 50.0019066; Large 14.6" x 17.7", Order Number: K2.0016922). Avoid abrasive particle contamination of your cleaning supplies and cloths (e.g. by sand).
- Always wipe gently in a single direction and take a new tissue for each stroke if using disposable tissues.

ADVICE

- Have your equipment ready before starting the cleaning process.
- To determine the level of contamination, use a bright lamp or bright daylight and change the angle of view of the surfaces from normal to grazing incidence.
- Always clean the barrel surface or the frame/mount first.
- When cleaning mounted optics or frames, avoid that cleaning agents are drawn into narrow spaces near the retaining rings, etc., due to capillary forces. Use moistened, but not soaking wet tissues.
- Use manual air blowers and clean antistatic brushes.
- Place the lens on a clean, soft surface or a clean ARRI Optics Cleaning Cloth.
- It may be difficult to clean an optical surface without streaks and non-volatile residues when the relative humidity exceeds 65%.
- Always store your optics in the provided containers with protective caps on when not in use. If not stored in a container, store the lens with the optical surfaces upright in a clean environment and protective covers on to limit contamination.

Recommended Cleaning Agents

Use cleaning agents suitable for dielectric coated precision optics to avoid streaking, non-volatile residues, or damaging optical elements. Prepare three different liquids in spray or drop dispensing bottles:

- A neutral window detergent.
- Deionized distilled water.
- Spectroscopy grade isopropyl alcohol.

Always use these liquids in this sequence when cleaning.

Recommended Cleaning Procedure

For minor particle contaminants like dust, pollen, rain residuals, etc., and moderate contaminants like fingerprints or comparable strains:

1. Dust blow the surface to remove dust and lint.
2. If the surface is still not clean, gently brush off residual loose contaminants.
3. Use one dedicated tissue/cloth for each liquid: one for neutral window detergent, one for deionized distilled water, and one for spectroscopy grade isopropyl alcohol. The liquids should be used in this sequence.
4. Using a bright light source, check for cleaning agent residues, streaks, or other contaminants. It is common to breathe carefully on the optical surface and then to gently wipe off the condensed moisture with a soft cloth, e.g. a clean ARRI Optical Cleaning Cloth. If you decide to do so, avoid saliva droplets on the surface and do not firmly wipe dry parts of the optical surface. If the surface is still not clean, repeat the cleaning sequence.

WARNING

Do not use any strong or aggressive cleaning detergents like Methanol, Acetone, Benzine or acids, as they may damage the optical coating or lens barrel!

9 Technical Data

ARRI Signature Prime	12/T1.8	15/T1.8	18/T1.8	21/T1.8
Optical Parameters				
Focal length	12 mm	15 mm	18 mm	21 mm
MOD from sensor plane (minimum marked distance)	0.35 m / 14"	0.35 m / 14"	0.35 m / 14"	0.35 m / 14"
MOD from lens front	0.07 m / 2.6"	0.1 m / 4.3"	0.13 m / 5.1"	0.13 m / 5.1"
Magnification ratio at MOD	1:7.0	1:10.3	1:9.2	1:8.2
Entrance pupil position (related to image plane, in direction to object plane)	262.5 mm / 10.34"	203.0 mm / 7.99"	189.5 mm / 7.46"	183.4 mm / 7.22"
Angle of view H-V-D for LF Open Gate	114.2° / 94.0° / 124.0°	102.0° / 81.2° / 112.9°	91.4° / 71.0° / 102.6°	82.7° / 63.0° / 94.0°
Physical Dimensions				
Front diameter	134 mm / 5.28"	156 mm / 6.14"	114 mm / 4.49"	114 mm / 4.49"
Max. housing diameter	135 mm / 5.31"	157 mm / 6.18"	115 mm / 4.53"	115 mm / 4.53"
Length from flange	239 mm / 9.41"	197 mm / 7.75"	178 mm / 7.01"	178 mm / 7.01"
Weight (lens only)	2.8 kg / 6.2lb	2.8 kg / 6.1lb	2.0 kg / 4.4lb	1.9 kg / 4.2lb
Lens barrel	Magnesium	Magnesium	Magnesium	Magnesium
Interfaces				
Lens mount	LPL	LPL	LPL	LPL
Lens data system	LDS-2	LDS-2	LDS-2	LDS-2
Flange focal distance	44 mm	44 mm	44 mm	44 mm
ARRI Signature Prime 12 mm: Due to its unique optical design, the image that the ARRI Signature Prime 12 lens produces on the image sensor is rotated by 180° with respect to a normal lens.				

ARRI Signature Prime	25/T1.8	29/T1.8	35/T1.8	40/T1.8
Optical Parameters				
Focal length	25 mm	29 mm	35 mm	40 mm
MOD from sensor plane (minimum marked distance)	0.35 m / 14"	0.35 m / 14"	0.35 m / 14"	0.35 m / 14"
MOD from lens front	0.13 m / 5.1"	0.13 m / 5.1"	0.13 m / 5.1"	0.13 m / 5.1"
Magnification ratio at MOD	1:7.1	1:6.4	1:5.4	1:4.8
Entrance pupil position (related to image plane, in direction to object plane)	177.6 mm / 7.01"	165.8 mm / 6.53"	162.1 mm / 6.53"	159.3 mm / 6.27"
Angle of view H-V-D for LF Open Gate	73.0° / 54.4° / 84.0°	65.1° / 47.9° / 75.7°	55.5° / 40.2° / 65.3°	49.3° / 35.4° / 58.3°
Physical Dimensions				
Front diameter	114 mm / 4.49"	114 mm / 4.49"	114 mm / 4.49"	114 mm / 4.49"
Max. housing diameter	115 mm / 4.53"	115 mm / 4.53"	115 mm / 4.53"	115 mm / 4.53"
Length from flange	178 mm / 7.01"	178 mm / 7.01"	178 mm / 7.01"	178 mm / 7.01"
Weight (lens only)	1.9 kg / 4.2lb	1.8 kg / 4.0lb	1.7 kg / 3.7lb	1.8 kg / 4.0lb
Lens barrel	Magnesium	Magnesium	Magnesium	Magnesium
Interfaces				
Lens mount	LPL	LPL	LPL	LPL
Lens data system	LDS-2	LDS-2	LDS-2	LDS-2
Flange focal distance	44 mm	44 mm	44 mm	44 mm

ARRI Signature Prime	47/T1.8	58/T1.8	75/T1.8	95/T1.8
Optical Parameters				
Focal length	47 mm	58 mm	75 mm	95 mm
MOD from sensor plane (minimum marked distance)	0.45 m / 18"	0.45 m / 18"	0.65 m / 26"	0.85 m / 29"
MOD from lens front	0.23 m / 9.0"	0.23 m / 9.0"	0.43 m / 16.9"	0.63 m / 21"
Magnification ratio at MOD	1:6.3	1:5.4	1:7.2	1:7.9
Entrance pupil position (related to image plane, in direction to object plane)	155.8 mm / 6.13"	143.9 mm / 5.66"	115.5 mm / 4.55"	85.4 mm / 3.36"
Angle of view H-V-D for LF Open Gate	42.6° / 30.4° / 50.8°	34.9° / 24.8° / 41.8°	27.5° / 19.3° / 33.3°	21.6° / 15.3° / 26.5°
Physical Dimensions				
Front diameter	114 mm / 4.49"	114 mm / 4.49"	114 mm / 4.49"	114 mm / 4.49"
Max. housing diameter	115 mm / 4.53"	115 mm / 4.53"	115 mm / 4.53"	115 mm / 4.53"
Length from flange	178 mm / 7.01"	178 mm / 7.01"	178 mm / 7.01"	178 mm / 7.01"
Weight (lens only)	1.8 kg / 4.0lb	2.0 kg / 4.4lb	1.9 kg / 4.2lb	1.9 kg / 4.2lb
Lens barrel	Magnesium	Magnesium	Magnesium	Magnesium
Interfaces				
Lens mount	LPL	LPL	LPL	LPL
Lens data system	LDS-2	LDS-2	LDS-2	LDS-2
Flange focal distance	44 mm	44 mm	44 mm	44 mm

ARRI Signature Prime	125/T1.8	150/T1.8	200/T2.5	280/T2.8
Optical Parameters				
Focal length	125 mm	150 mm	200 mm	280 mm
MOD from sensor plane (minimum marked distance)	1.00 m / 3'4"	1.50 m / 5'	1.80 m / 6'	2.5 m / 8'3"
MOD from lens front	0.78 m / 2'7"	1.25 m / 4'2"	1.54 m / 5'1"	2.18 m / 7'2"
Magnification ratio at MOD	1:7.0	1:9.0	1:8.3	1:8.3
Entrance pupil position (related to image plane, in direction to object plane)	52.6 mm / 2.07"	54.5 mm / 2.15"	34.9mm / 1.37"	36.9 mm / 1.45"
Angle of view H-V-D for LF Open Gate	16.6° / 11.6° / 20.2°	13.9° / 9.7° / 16.9°	10.4° / 7.3° / 12.6°	7.4° / 5.2° / 9.0°
Physical Dimensions				
Front diameter	114 mm / 4.49"	114 mm / 4.49"	114 mm / 4.49"	134 mm / 5.28"
Max. housing diameter	115 mm / 4.53"	135 mm / 5.31"	135 mm / 5.31"	135 mm / 5.31"
Length from flange	178 mm / 7.01"	208 mm / 8.19"	218 mm / 8.58"	278 mm / 10.93"
Weight (lens only)	2.3 kg / 5.1lb	3.25 kg / 7.3lb	3.1 kg / 6.13lb	4.3 kg / 9.48lb
Lens barrel	Magnesium	Magnesium	Magnesium	Magnesium
Interfaces				
Lens mount	LPL	LPL	LPL	LPL
Lens data system	LDS-2	LDS-2	LDS-2	LDS-2
Flange focal distance	44 mm	44 mm	44 mm	44 mm

10 Spare Parts

Please visit our website www.arri.com:

- for product information & data sheets
- for software updates
- to locate your local dealer for Warranty/Repair/Spare part inquiries.

The following spare parts are available for the Signature Prime lenses:

- Front Cap
- Rear Cap
- Magnetic Rear Filter Holder
- Shim Set
- Aluminum Lens Case
- Name Plate
- Cleaning Cloth 170x150mm
- Cleaning Cloth 14.6"x17.7"

Design, specifications & availability are subject to change without notice.

11 Declarations of Conformity

Note: Changes or modifications not expressly approved by the party responsible for compliance could void the user's authority to operate the equipment.

EU Declaration of Conformity

- Directive 2014/30/EU of the European Parliament and the Council of 26 February 2014 on the harmonisation of the laws of the Member States relating to electromagnetic compatibility - OJ L 96, 29.3.2014, p. 79–106
- Directive 2011/65/EU of the European Parliament and the Council of 8 June 2011 on the restriction of the use of certain hazardous substances in electrical and electronic equipment - OJ L 174, 1.7.2011, p. 88–110

The compliance with the requirements of the European Directives was proved by the application of the following standards:

- EN 55032: 2015; EN 55103-2: 2009
- EN 50581:2012

To evaluate the respective information, we used:

http://ec.europa.eu/growth/single-market/european-standards/harmonised-standards/index_en.htm

Munich, 15 May 2018

sign Walter Trauninger

Managing Director

sign Dr. Sebastian Lange

Head of Central Quality Management

FCC Compliance Statement

Class A Statement: This equipment has been tested and found to comply with the limits for a Class A digital device, pursuant to Part 15 of the FCC Rules. These limits are designed to provide reasonable protection against harmful interference when the equipment is operated in a commercial environment.

Note: This equipment has been tested and found to comply with the limits for a Class A digital device, pursuant to part 15 of the FCC Rules. These limits are designed to provide reasonable protection against harmful interference when the equipment is operated in a commercial environment. This equipment generates, uses, and can radiate radio frequency energy and, if not installed and used in accordance with the instruction manual, may cause harmful interference to radio communications. Operation of this equipment in a residential area is likely to cause harmful interference in which case the user will be required to correct the interference at his own expense.

Industry Canada Compliance Statement

Complies with the Canadian ICES-003 Class A specifications.

Cet appareil numérique de la Classe A est conforme à la norme NMB-003 du Canada.

This Class A device meets all the requirements of the Canadian interference-causing equipment regulations.

Cet appareil numérique de la Classe A respecte toutes les exigences du Règlement sur le matériel brouilleur du Canada.

12 ARRI Service Contact Information

In case you require support or assistance with your product, write an Email to service@arri.com or contact one of the worldwide ARRI Service Centers. Go to www.arri.com/service to find the contact information of your closest ARRI Service Center.

13 Dimensional Drawings

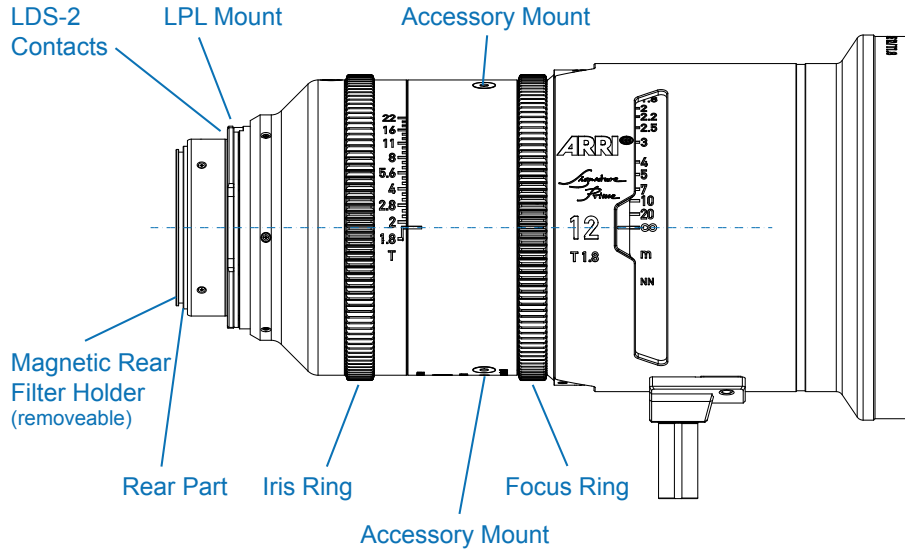
ARRI Signature Prime - 12/T1.8



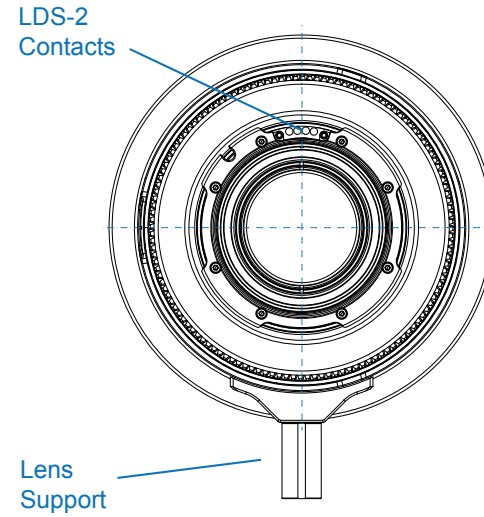
PRIME LENS DIMENSIONS – Version 2020-02

Technical Data are subject to change without notice.

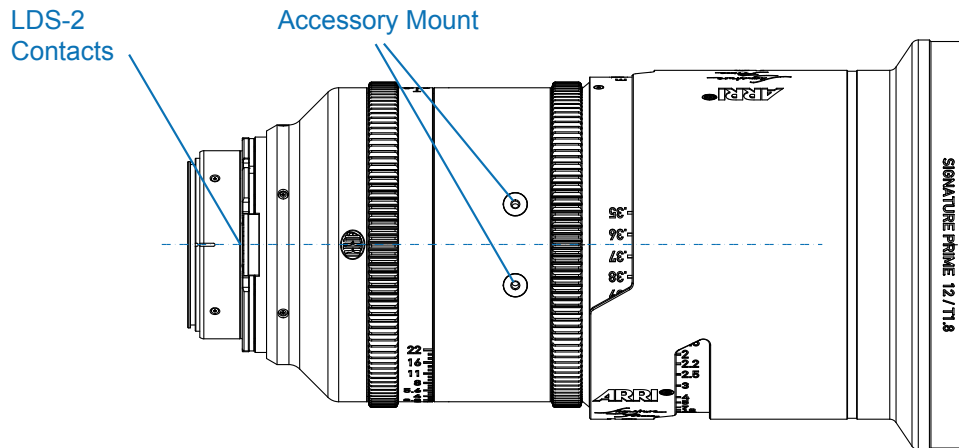
Right



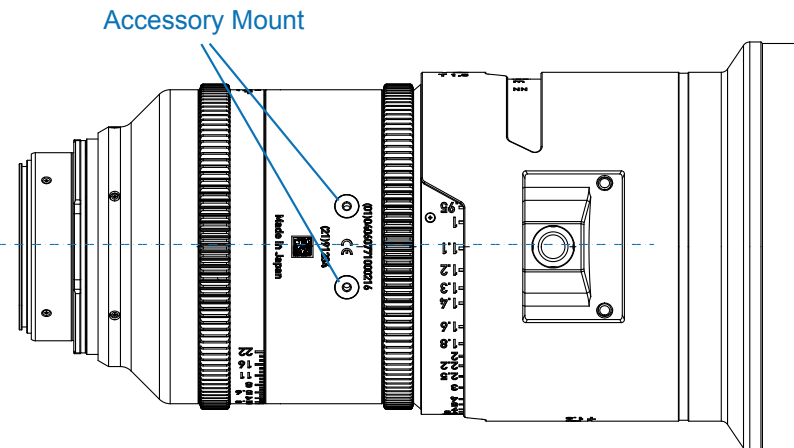
Rear



Top



Bottom



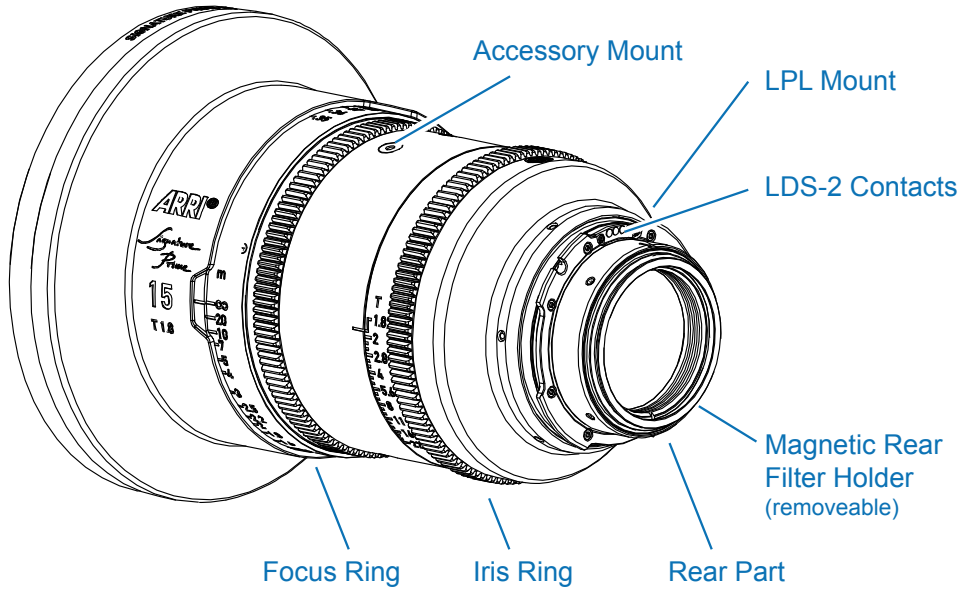
ARRI Signature Prime - 15/T1.8



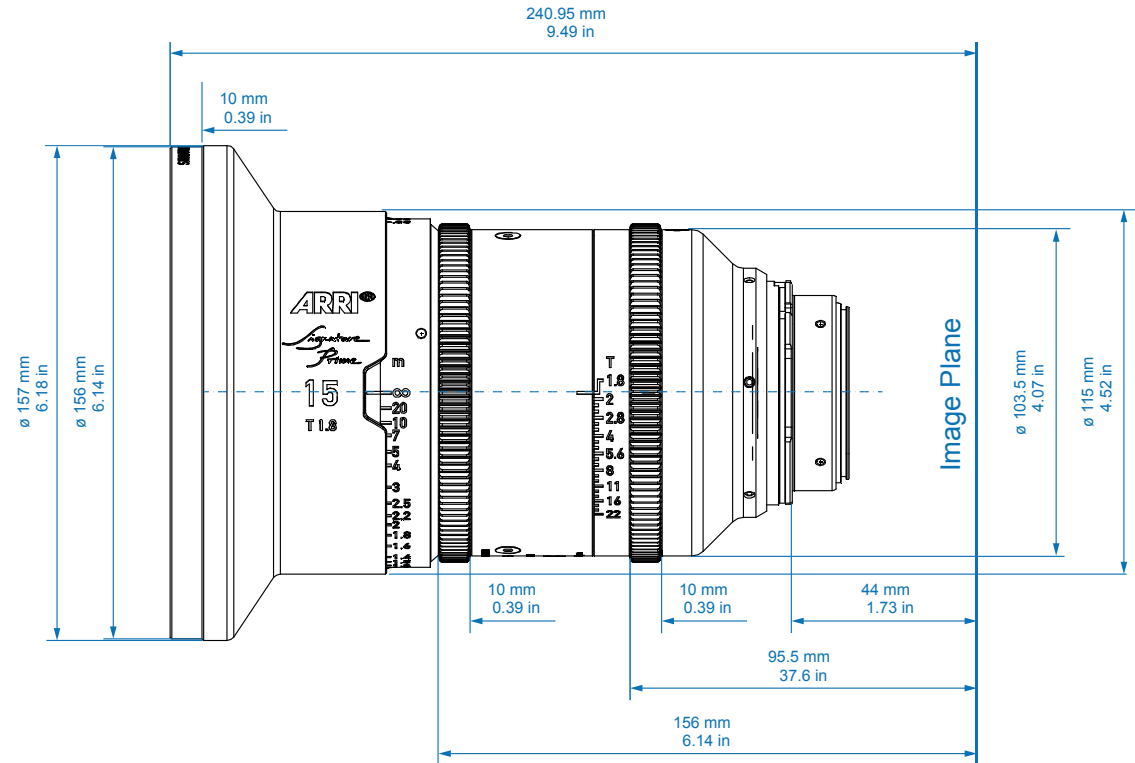
PRIME LENS DIMENSIONS – Version 2020-02

Technical Data are subject to change without notice.

Overview



Left



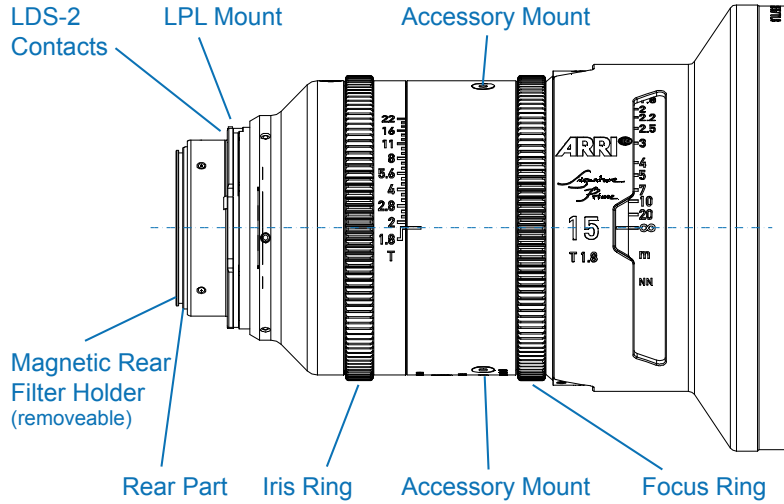
ARRI Signature Prime - 15/T1.8



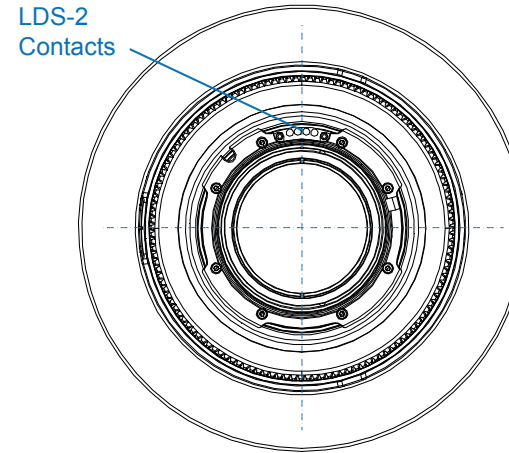
PRIME LENS DIMENSIONS – Version 2020-02

Technical Data are subject to change without notice.

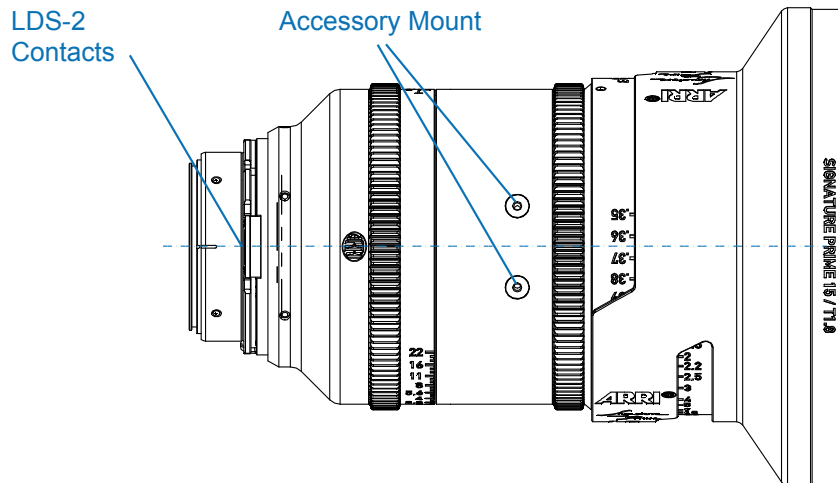
Right



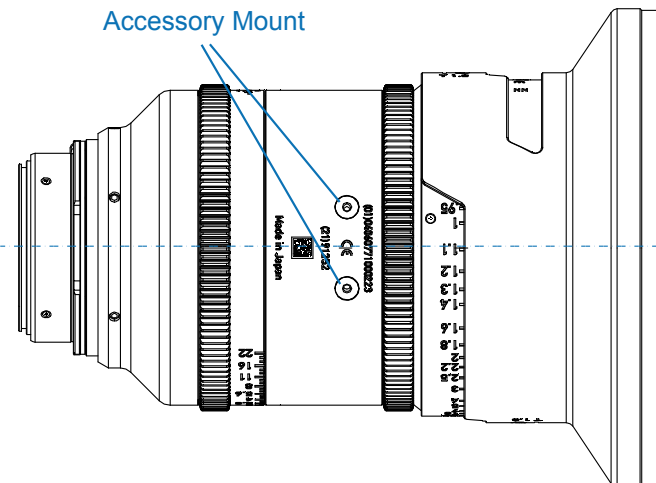
Rear



Top



Bottom



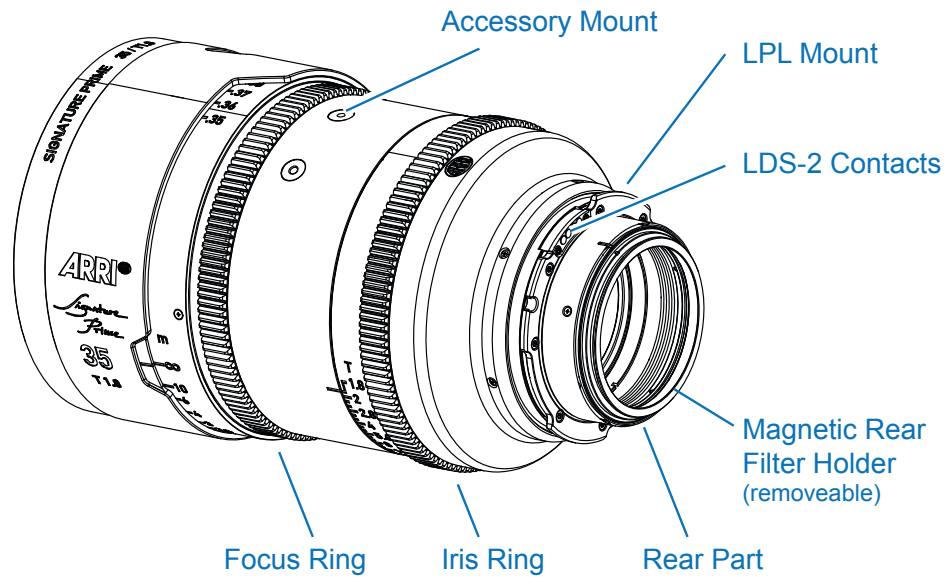
ARRI Signature Prime - Core Set 18...125/T1.8



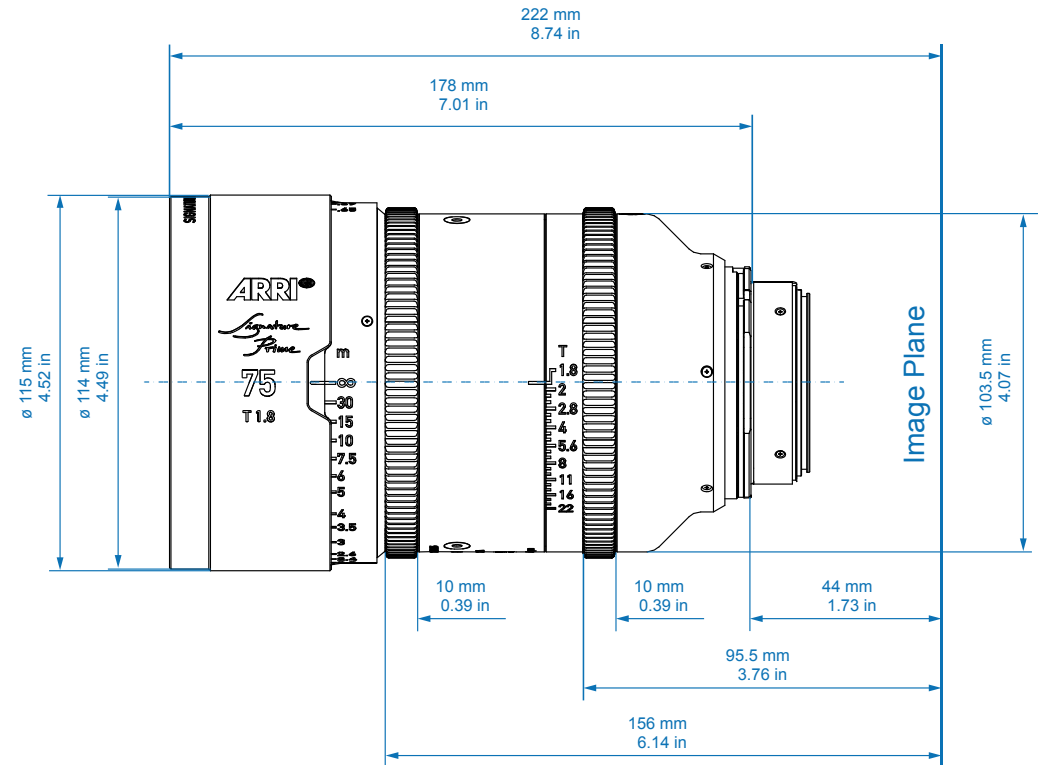
PRIME LENS DIMENSIONS – Version 2020-02

Technical Data are subject to change without notice.

Overview



Left



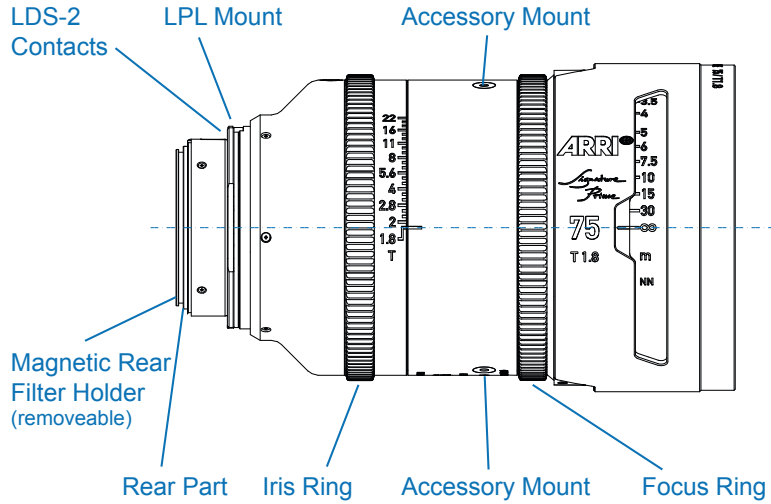
ARRI Signature Prime - Core Set 18...125/T1.8



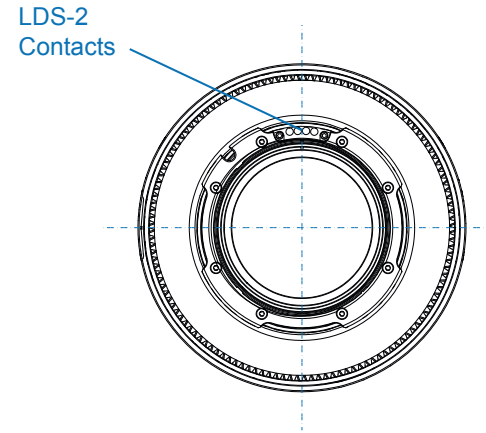
PRIME LENS DIMENSIONS – Version 2020-02

Technical Data are subject to change without notice.

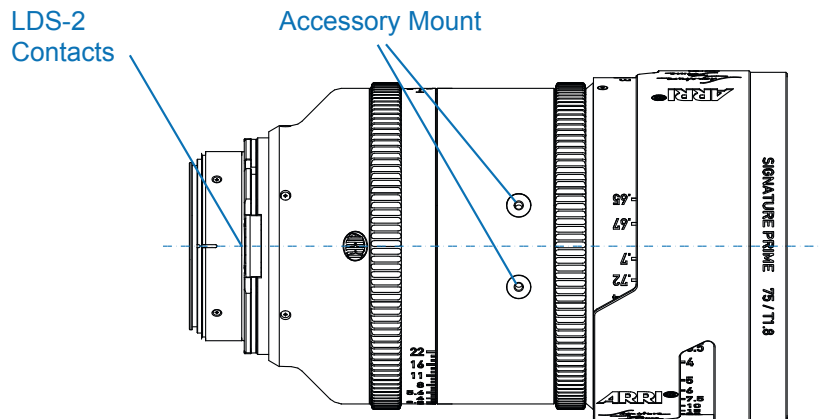
Right



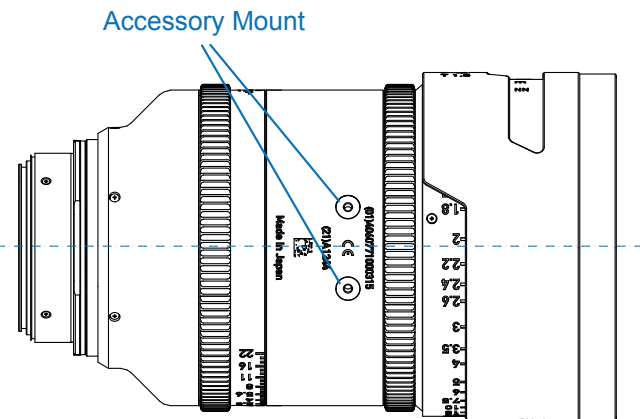
Rear



Top



Bottom



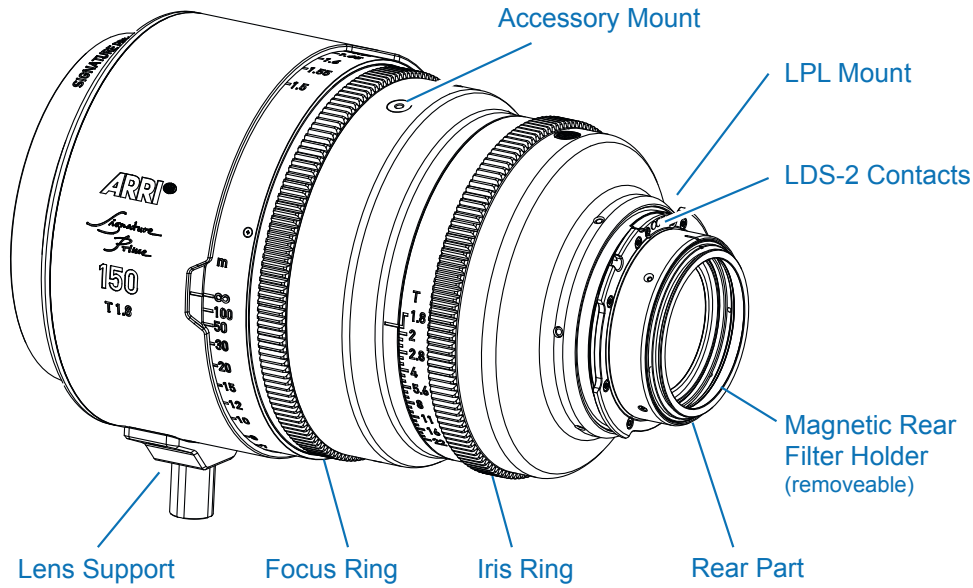
ARRI Signature Prime - 150/T1.8



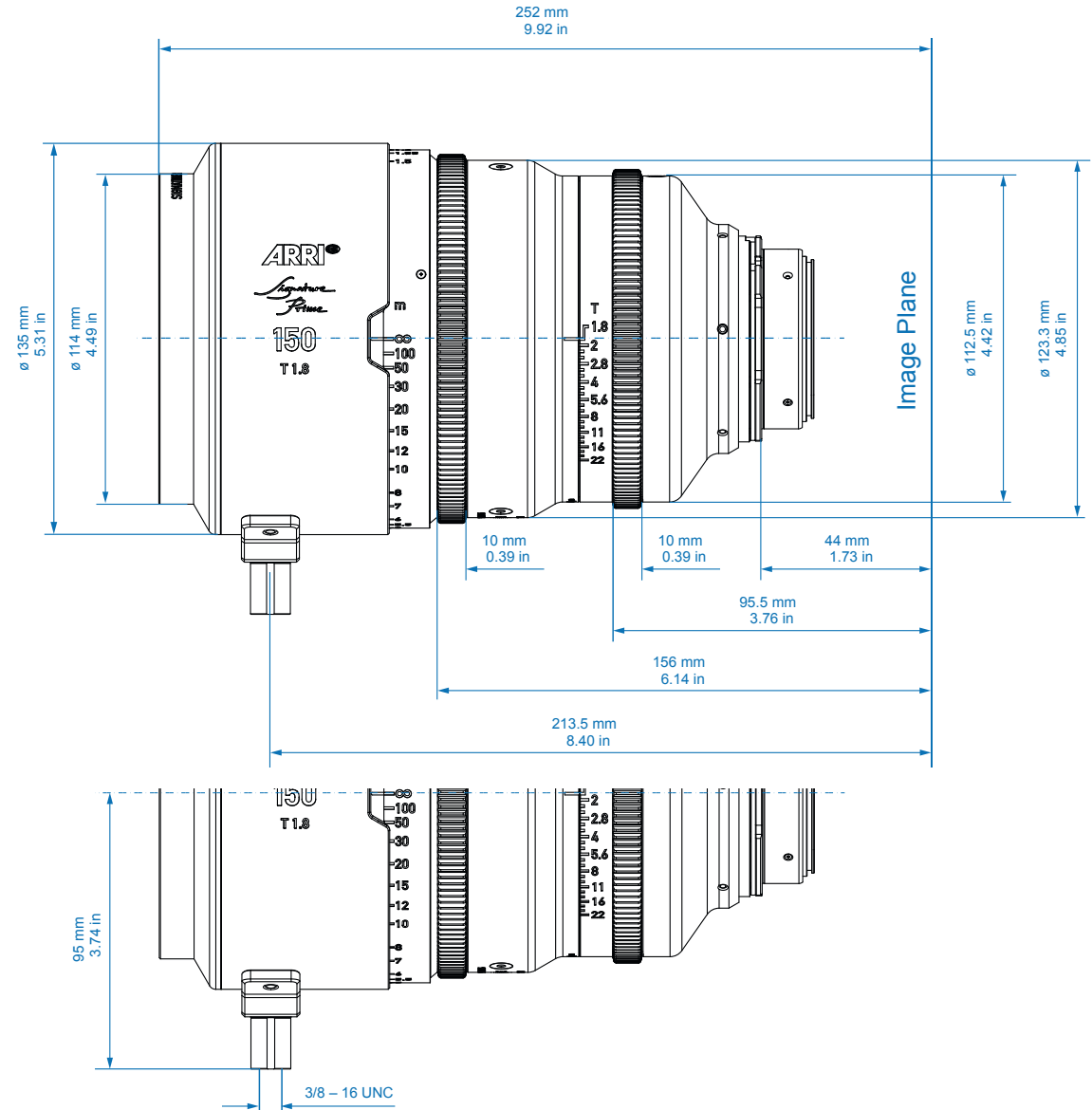
PRIME LENS DIMENSIONS – Version 2020-02

Technical Data are subject to change without notice.

Overview



Left



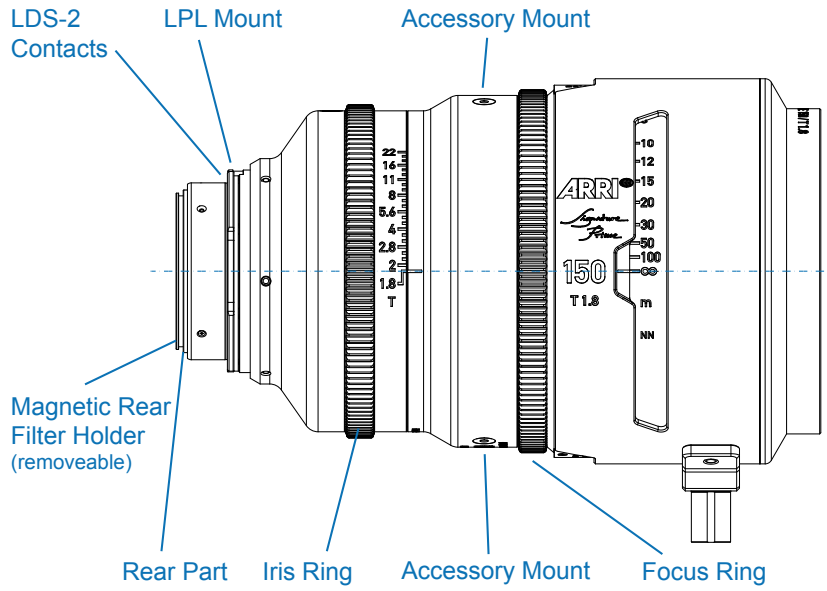
ARRI Signature Prime - 150/T1.8



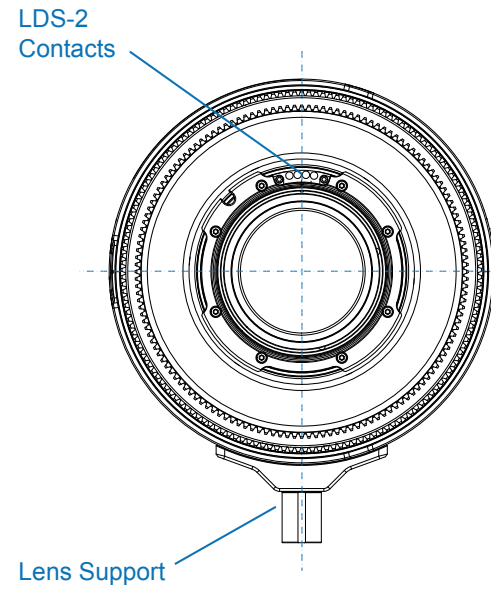
PRIME LENS DIMENSIONS – Version 2020-02

Technical Data are subject to change without notice.

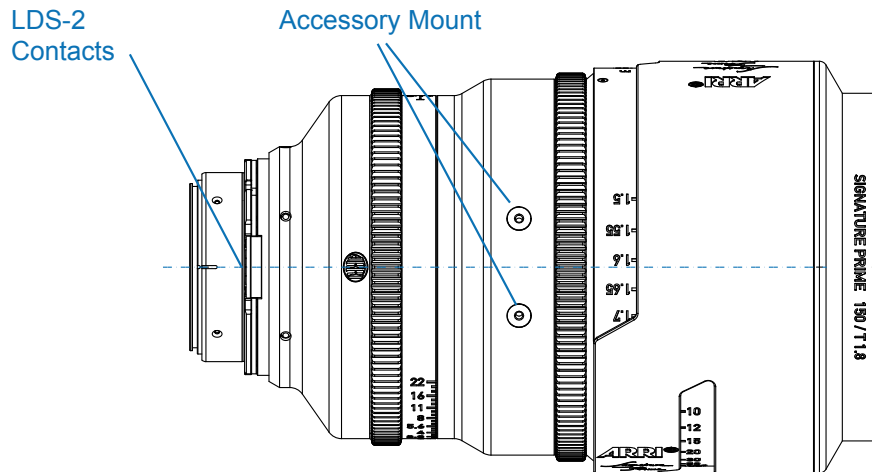
Right



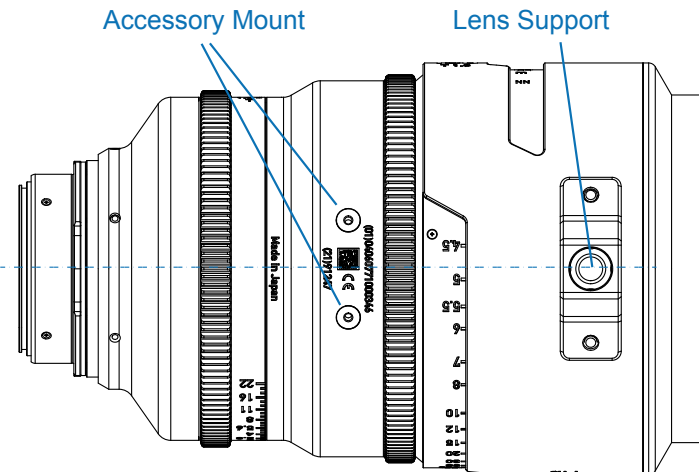
Rear



Top



Bottom



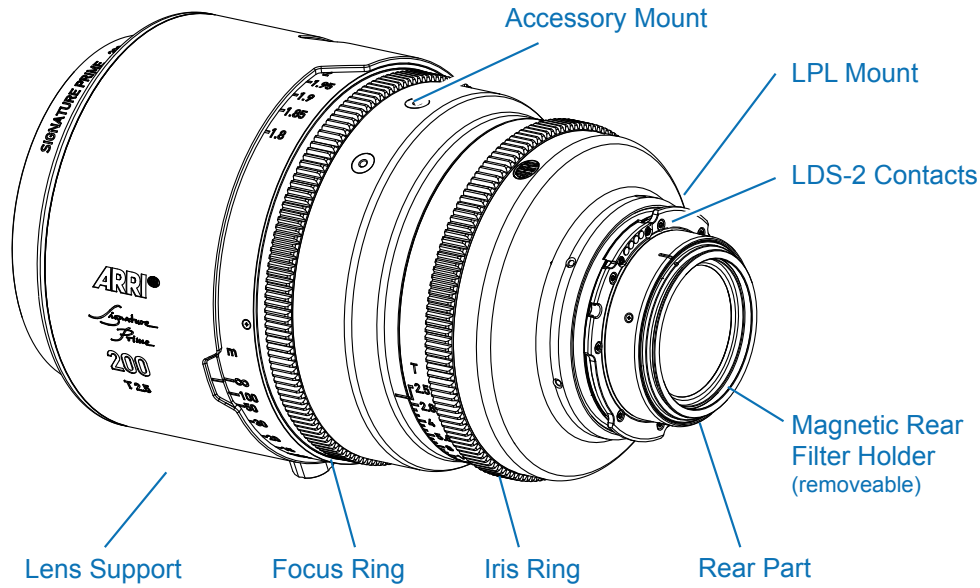
ARRI Signature Prime - 200/T2.5



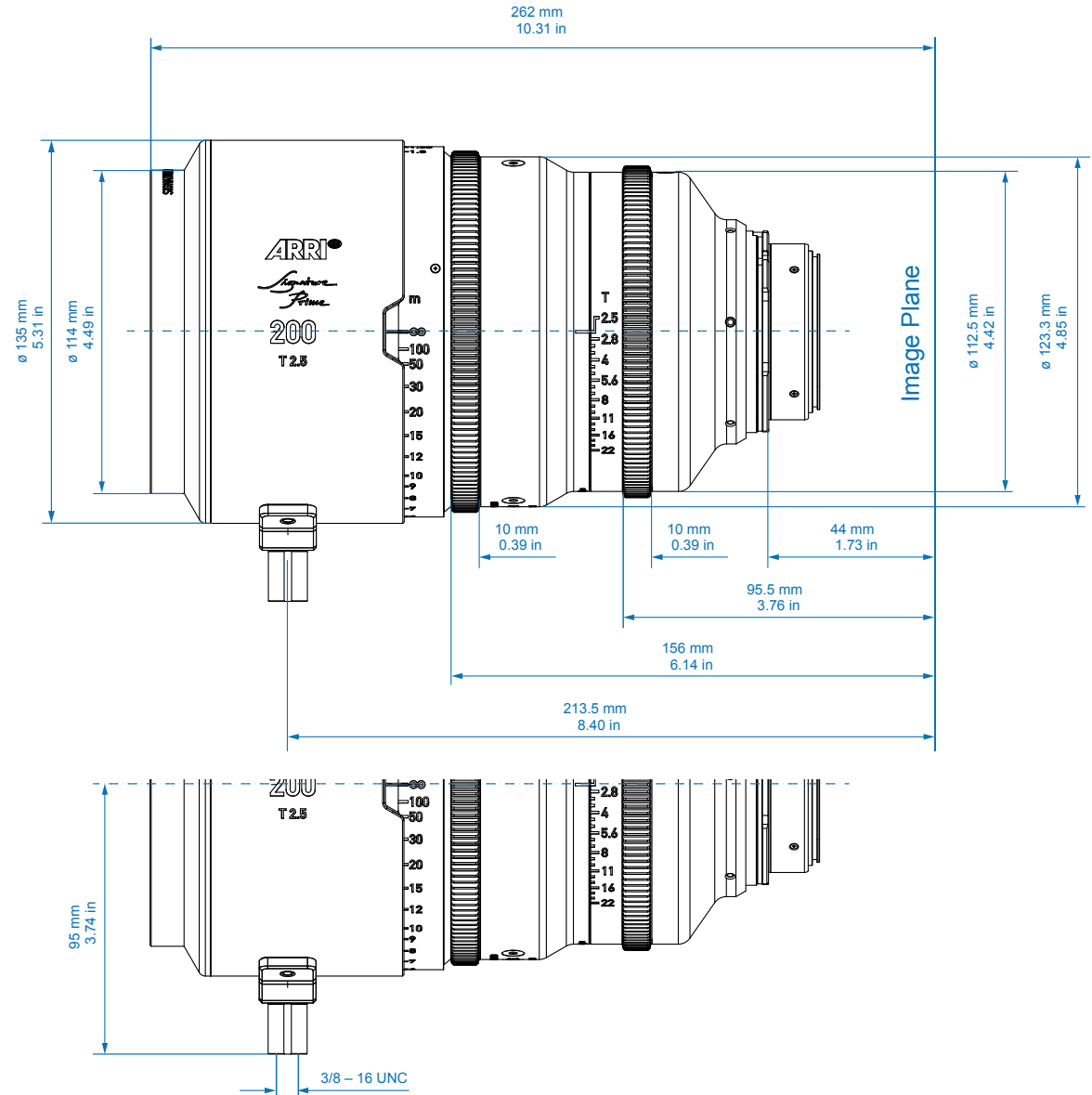
PRIME LENS DIMENSIONS – Version 2020-02

Technical Data are subject to change without notice.

Overview



Left



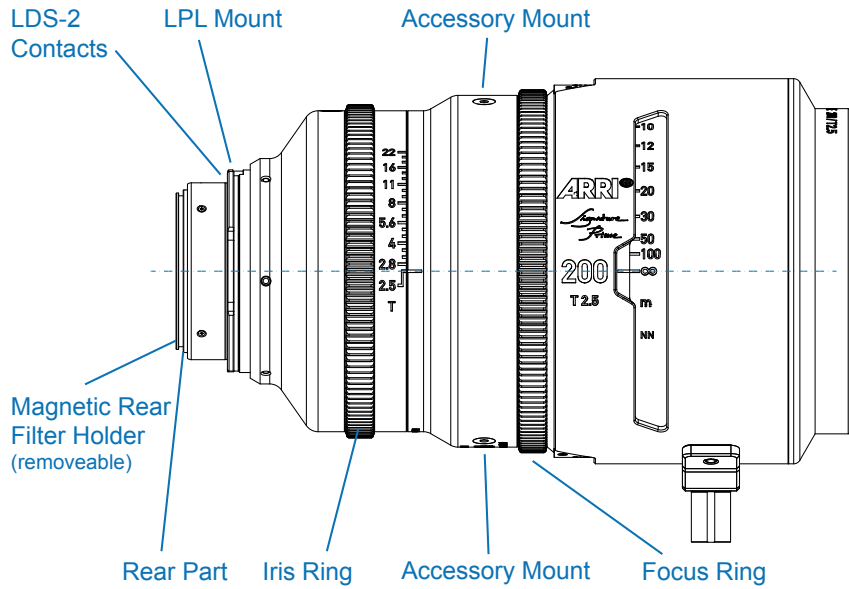
ARRI Signature Prime - 200/T2.5



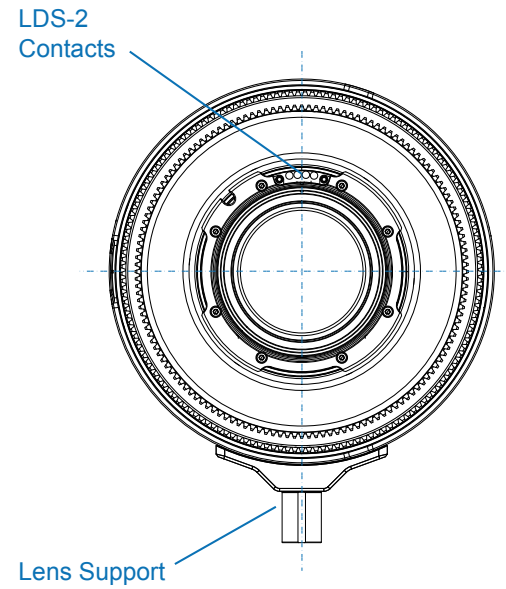
PRIME LENS DIMENSIONS – Version 2020-02

Technical Data are subject to change without notice.

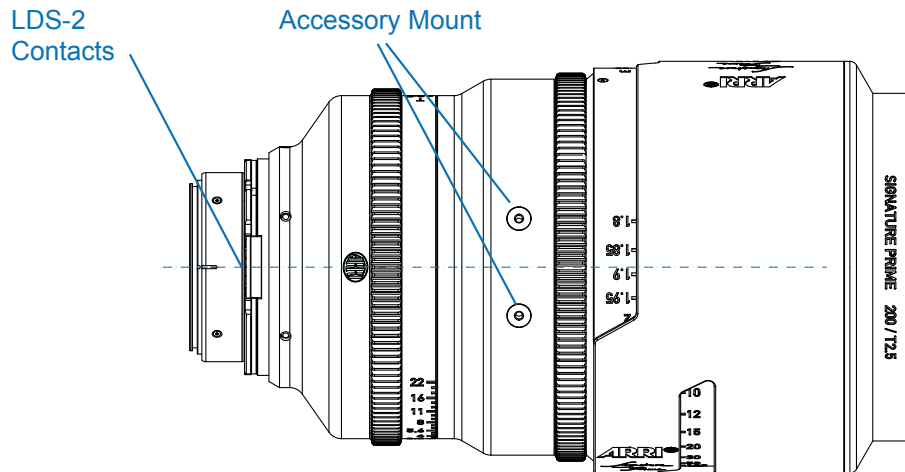
Right



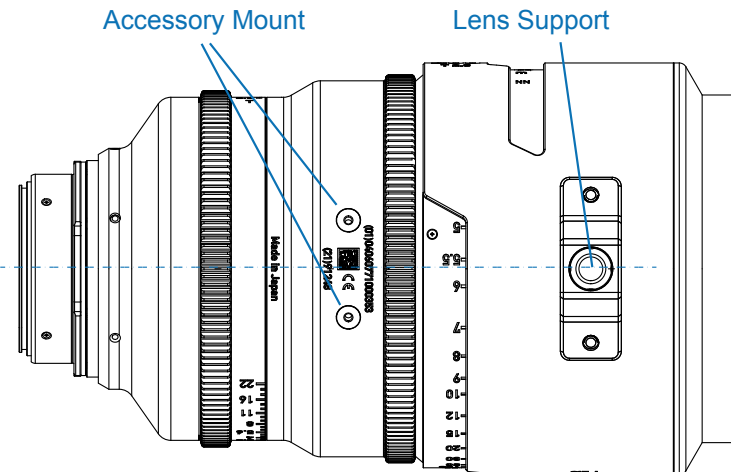
Rear



Top



Bottom



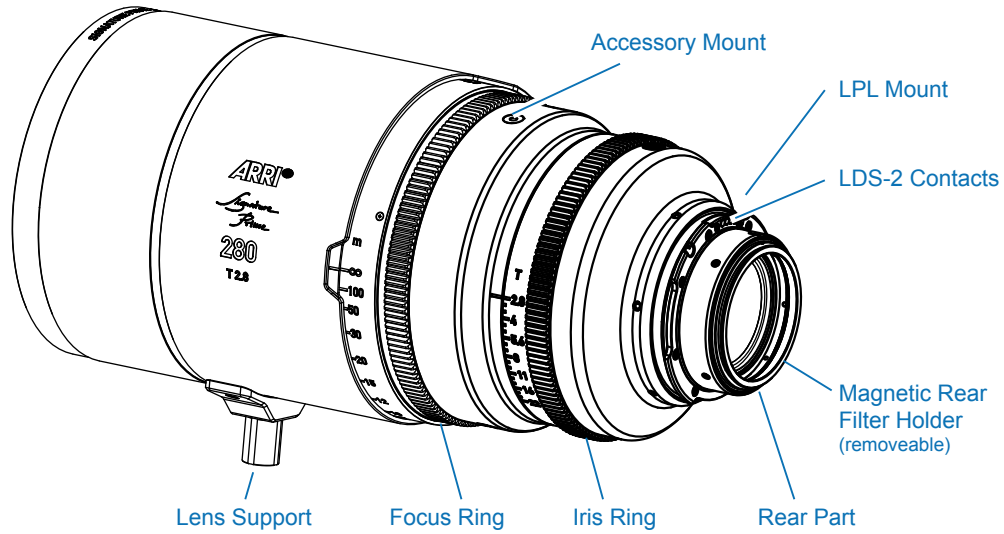
ARRI Signature Prime - 280/T2.8



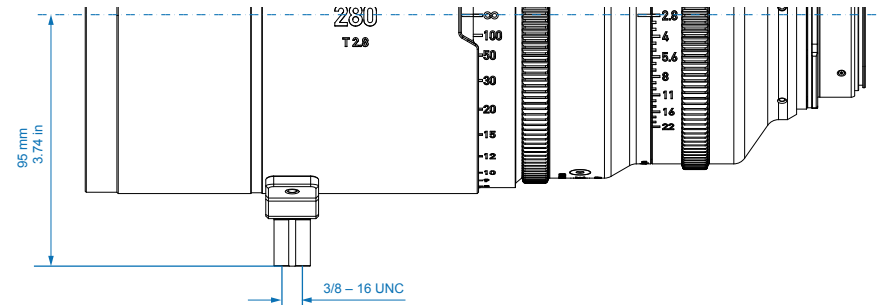
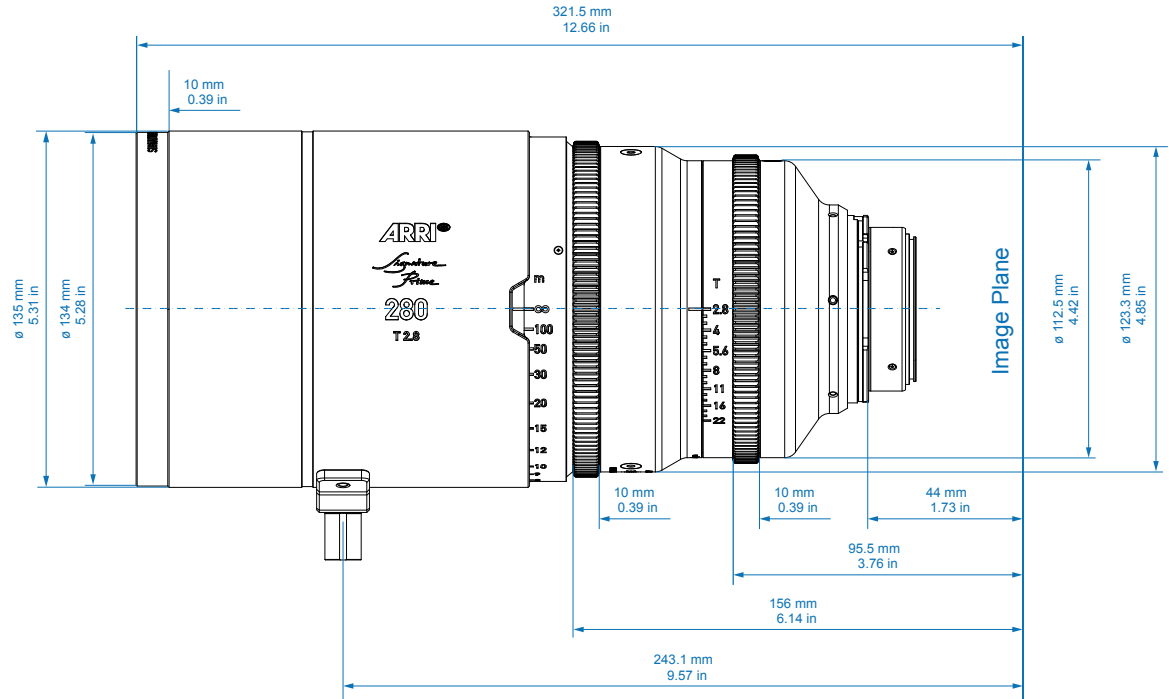
PRIME LENS DIMENSIONS – Version 2020-02

Technical Data are subject to change without notice.

Overview



Left



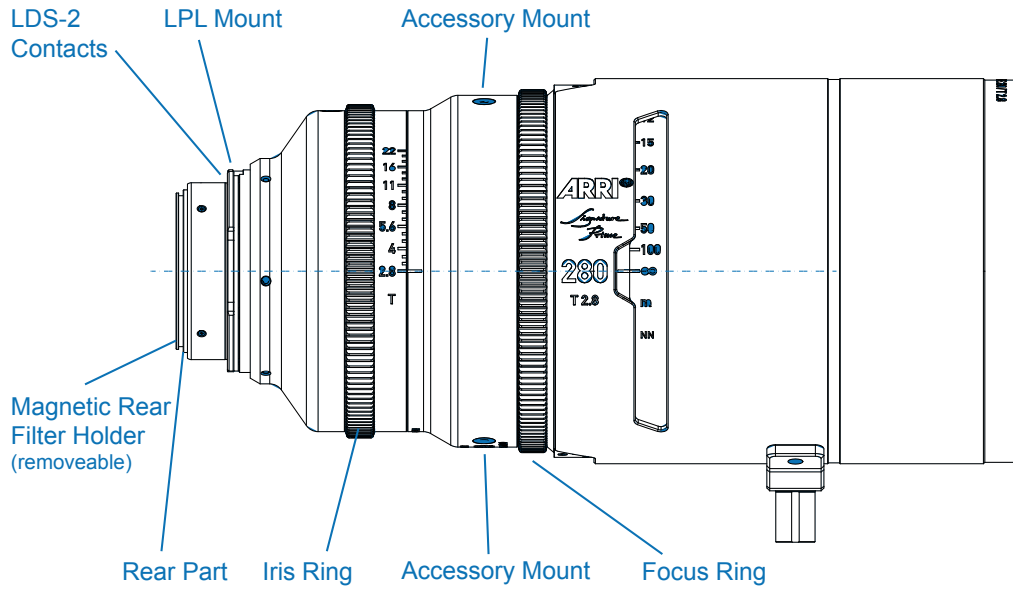
ARRI Signature Prime - 280/T2.8



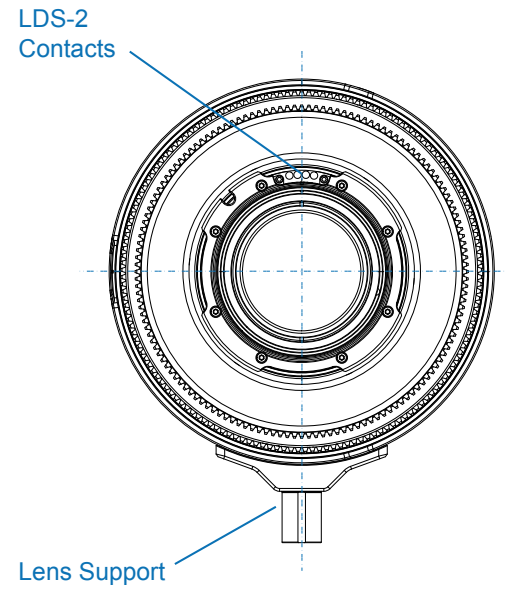
PRIME LENS DIMENSIONS – Version 2020-02

Technical Data are subject to change without notice.

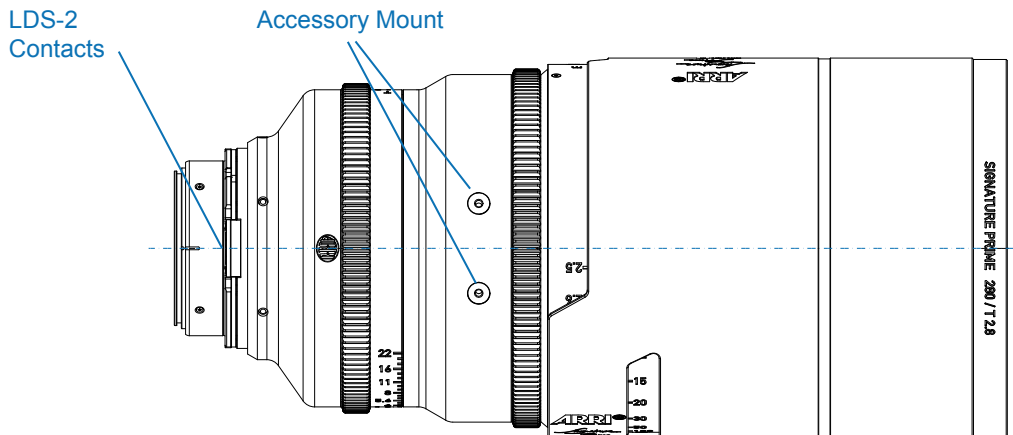
Right



Rear



Top



Bottom

